



rockymounts™

LTrackJunction

S1386_REV_1

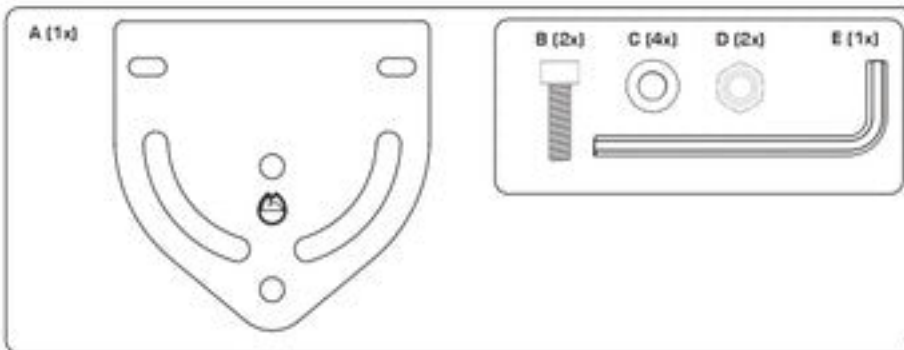


Guidelines

- Compatible with Rockymounts **DropTop** & **HotRod**, or other fork mounts with bolt spacing 95 - 110mm
- For use on LTrack cargo systems
- Fork mount weight capacity does not change
- 0° to 35° adjustable mount
- 90° Perpendicular mount

Parts Included

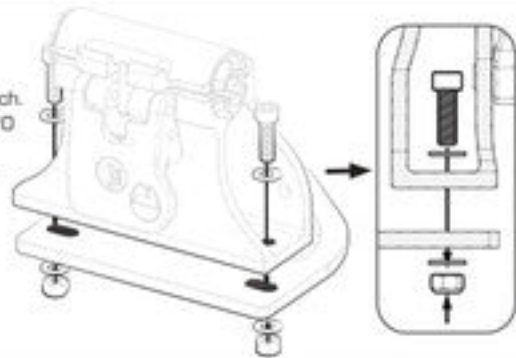
- | | |
|------------------|---------------------|
| A: Adapter plate | D: M6 Nyloc nut |
| B: M6 x 20 SHCS | E: 5mm Allen wrench |
| C: M6 Washer | |



Assembly Instructions

1 Install Fork Mount

- Attach fork mount to LTrackJunction.
Using a 5mm Allen key and 10mm wrench.
- From the top insert the provided M6x20 SHCS bolts with an M6 washer each.
 - From the underside M6 nyloc nut and M6 washer each.
- Fully tighten the nut and bolts.



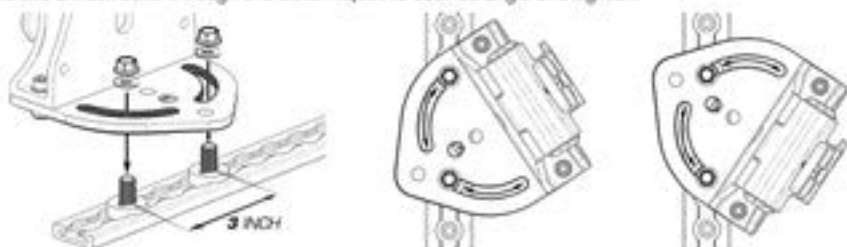
Read all warnings on last page before use.

rockymounts™

2 Attach to L-Track

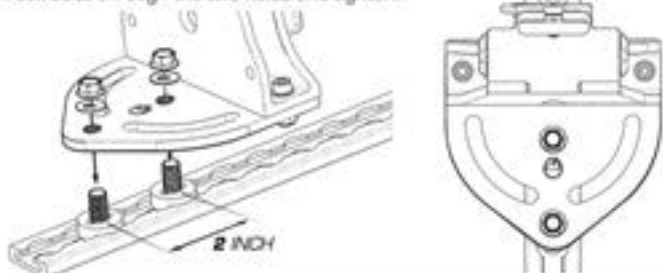
Angle adjustment install

Install 2x L-Track attachment bolts (Not provided) 3 inches apart. Install the LTrackJunction by passing the two L-Track bolts through the slots. Adjust to desired angle and tighten.



90° Perpendicular install

Install 2x L-Track attachment bolts (Not provided) 2 inches apart. Install the LTrackJunction by passing the two L-Track bolts through the two holes and tighten.



Warnings

- Remove baby seats, panniers, U-locks, or items that could detach from the bicycle
- Check all fasteners before each use and periodically lubricate T-bolt.
- If mounted externally, remove bicycles before entering car wash
- Once a year, remove from car to clean and inspect for damage
- RockyMounts™, Inc. cannot be held liable for stolen bicycles

Limited Lifetime Warranty

At RockyMounts we offer a Limited Lifetime Warranty for products purchased after January 1, 2014 to the original owner. For details of warranty, guidelines, and how to make a claim; please see rockymounts.com/warranty

Technical Support

Please call us at 303-402-0190 or email ride@rockymounts.com for questions regarding use, assembly, and support

Read all warnings on last page before use. **rockymounts™**