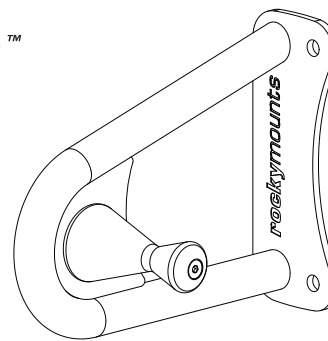




rockymounts™ WallRide

51100_REV_A



Guidelines

- Max weight: 100 lbs (45 kg)
- Tire Size: Fits up to 3.0" tires
- Bikes can be hung by front or rear wheel and can be staggered to maximize space savings
- Mounting height and spacing should be determined for your bicycles prior to installation to ensure that they fit without interference
- Mount must be installed into a stud or concrete wall
- Ball bearings provided to prevent removal of bolts and theft of mount/bicycle
- A cable or chain can be run through the frame of the WallRide and the bicycle frame/wheels

Included

A: WallRide Mount

B: 2x Lag Bolt M8 x 60mm

C: 2x Ball Bearing 1/4"

D: 1x 6mm Hex Driver

Tools Required

A: Drill

B: 1/4" (6mm) Drill Bit

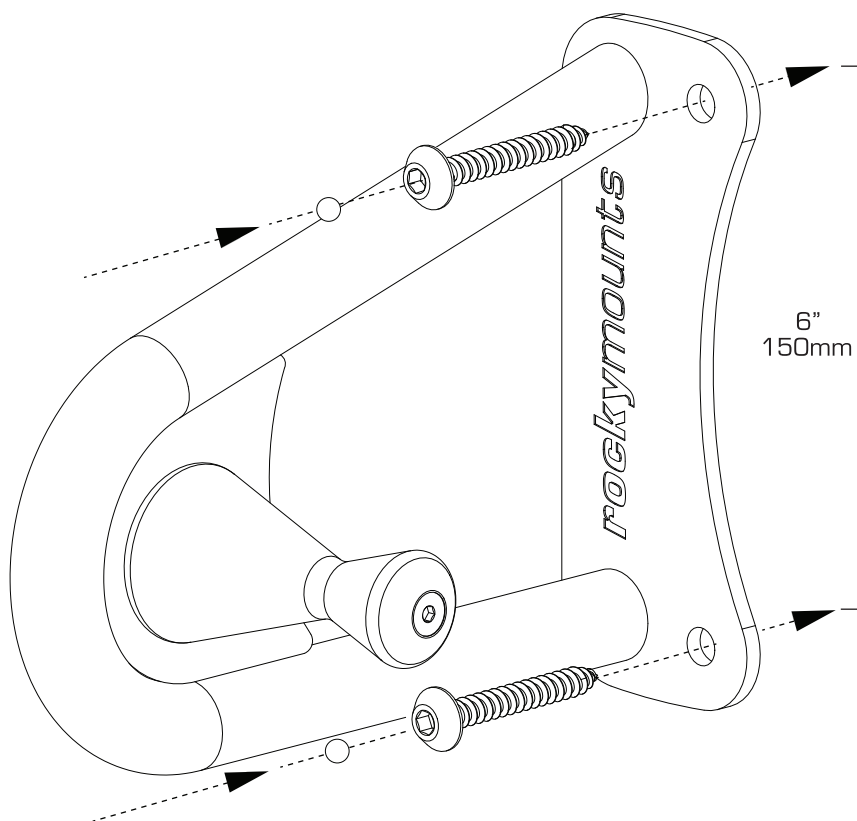
C: Hammer

D: Tape

E: 1/2" (12mm) Masonry Bit

Assembly Instructions

- Locate the center of a wall stud and place at your desired height. (we recommended 6' or 1"-3" of wheel clearance from the ground) If installing multiple mounts determine spacing to avoid bike/handlebar interference (see chart for recommended mount spacing). Using the body as a template, mark hole locations for each of the mounts.
- Drill 1/4" pilot holes on the mounting surface. Mount body onto surface using the provided Lag screws and hex driver. Check to ensure hardware is properly tightened and mount is secure.
- For high security applications the included ball bearings can be pressed into the socket head of the lag screws to prevent removal. Using a piece of tape place the ball bearing into the socket head and tap in using a hammer. Note: Use of ball bearing is permanent and extremely difficult to remove rack once installed.
- Position and align your bike vertically with the mount. Lift and slide the front or rear wheel behind the peg so that it sits between the spokes. Center the wheel on the peg and adjust the bike to ensure secure mounting.



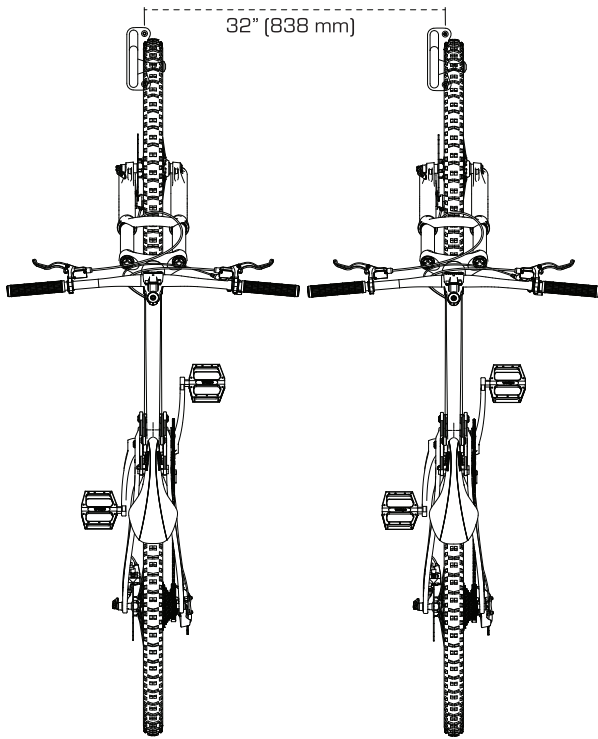
Read all warnings on last page before use. **rockymounts™**

Mounting Configurations

If mounting to a wood framed wall, ensure that each mount lines up with a stud for maximum strength and security. If mounting to a concrete or other solid wall, and maximum storage space is required, follow the suggested spacing below. (All measurements are to assume maximum clearance, measure your handlebars and adjust accordingly if necessary)

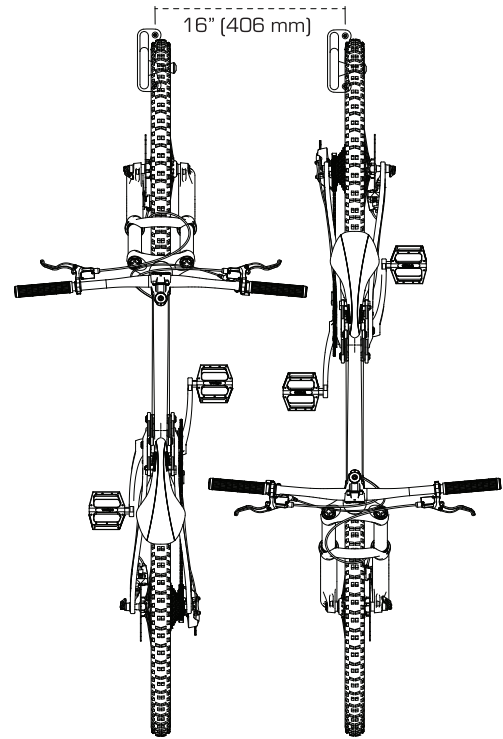
Hanging Bikes from Front wheel

For Bikes equipped with 800mm wide handlebars



Alternating Front and Rear Wheels

For Bikes equipped with 800mm wide handlebars



Warnings

Not intended for use on vehicles
Do not hang from or pull with excessive force
Mount must be installed into a stud (not just drywall)
Lag screws must be properly secured on center into a stud using a ¼" pilot hole
Beware of electrical wires and pipes when installing mount
Use of ball bearing is permanent and extremely difficult to remove rack once installed
Check all fastenings before each use
After loading the bike, jiggle the bike to ensure proper mounting (place bike in center of peg)
Locks are only deterrent to thieves, RockyMounts™, Inc. cannot be held liable for stolen bikes

Limited Lifetime Warranty

At RockyMounts™ we offer a Limited Lifetime Warranty for products purchased after January 1, 2014 to the original owner. For details of the Warranty, guidelines, and how to make a claim please see rockymounts.com/warranty

Technical Support

Please call us at 303-402-0190 or email at ride@rockymounts.com for questions regarding use, assembly, and support